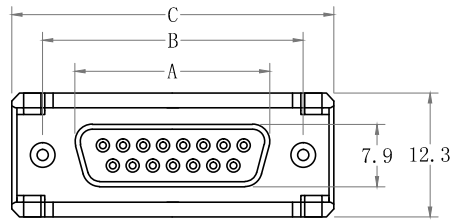
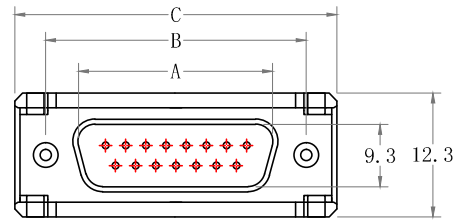


RJ45 TO D-SUB ADAPTER

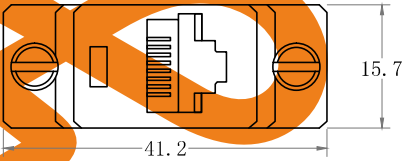
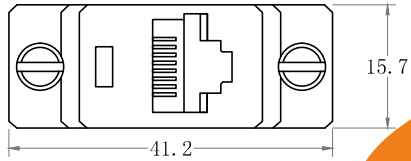
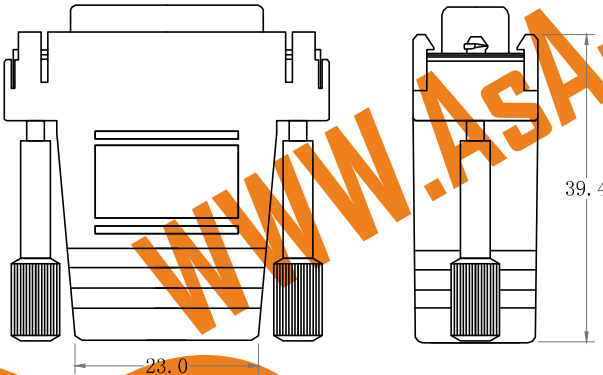
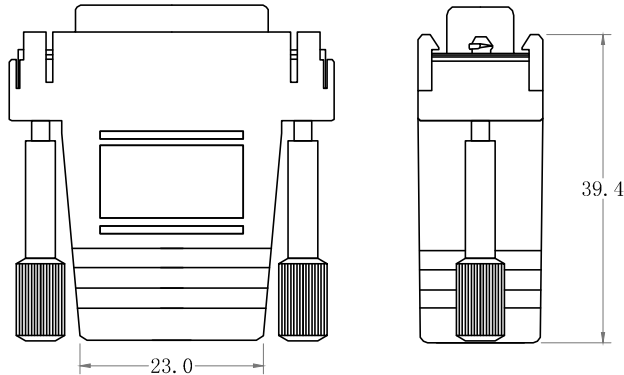
ROHS COMPLIANT



FEMALE



MALE

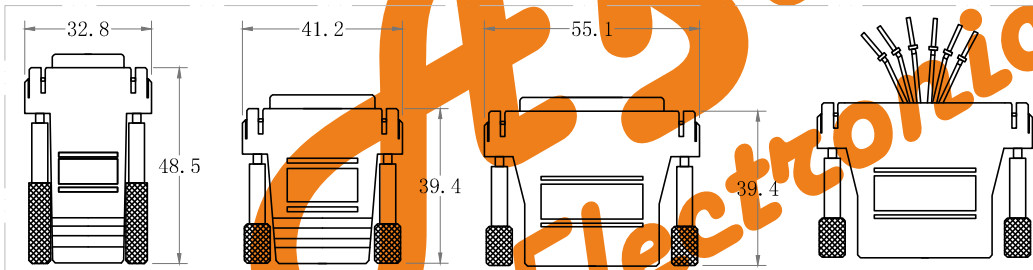


Specification
 Contact Resistance: 100mΩ Max
 Dielectric Withstanding Voltage: 500V/1 Minute
 Insulation Resistance: 1000MΩ Min
Material
 Insulator: Thermoplastic
 Contact: Copper Alloy
 Shell: Steel
 Hoods: ABS

Ordering Code:

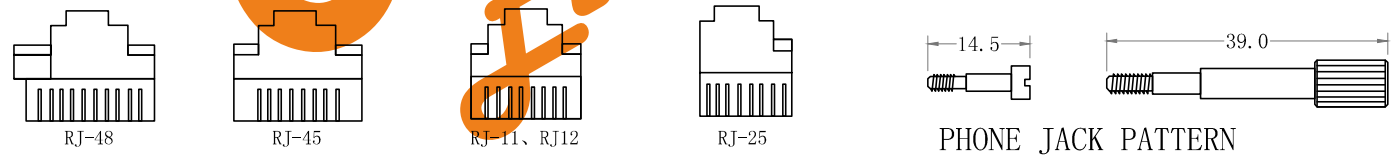
DBRJ - X - X - X - X - X - X - X
 ① ② ③ ④ ⑤ ⑥ ⑦ ⑧

- ① SERIES NO.
DBRJ
- ② CONTACT NUMBER
09 15 25 37 50
- ③ CONTACT TYPE
M=MALE
F=FEMALE
- ④ D-SUB CONTACT PLATING
S=SELECTIVE GOLD
G=GOLD FLASH
C=15u"GOLD
D=30u"GOLD
- ⑤ MODULAR JACK PLATING
G=GOLD FLASH
C=15u"GOLD
D=30u"GOLD
- ⑥ TYPE OPTION
4=RJ11 (6P4C)
6=RJ25 (6P6C)
8=RJ45 (8P8C)
A=RJ48 (10P10C)
- ⑦ PARTS OPTIONS
A=LONG SCREWS
B=SHORT SCREWS
- ⑧ PLASTIC HOOD COLOR
3=BLACK
4=GREY



FEMALE	A	B	C
9F	16.30	25.00	30.8
15F	24.60	33.30	39.2
25F	38.30	47.10	53.1

MALE	A	B	C
9M	16.92	25.00	30.8
15M	25.25	33.30	39.2
25M	38.96	47.10	53.1



PHONE JACK PATTERN

Unless Otherwise specified tolerance
 X.±0.35
 X.X:±0.25
 X.XX:±0.20
 X.XXX:±0.15

AsA Electronic Co.
 WWW.AsA-Elec.com
 Tel: (+98) 21 66 73 56 82 Mob: (+98) 912 03 161 02

SCALE: 2:1

UNIT: mm

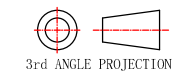
DRAWN: junfon H

CHECKED: YANG

TITLE:
RJ45 TO D-SUB ADAPTER

DRAWING NO: DBRJ-XXXXXXX

PRODUCT NO: DBRJ-XXXXXXX



REV	DESCRIPTION	DATE
1	Add option of plating	10-08-28